

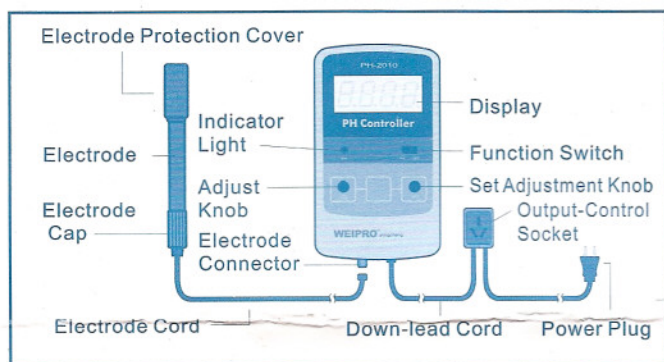
WEIPRO[®]

PH-2010 Controller

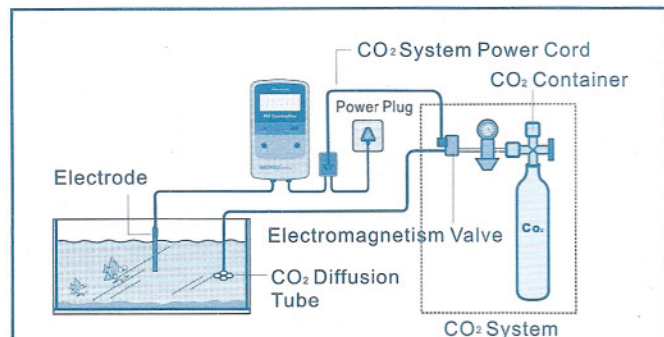
Operation Manual

- LED Display.
- Double functions on auto test and control the PH.
- Simple Operation Durable and Reliable.
- Professional for Salt Water and fresh water.

FRONT PANEL DESCRIPTION



OPERATION MANUAL



1. Connect the power supply, set the "Function switch" to the position of "PH", then put the PH electrode into the 7.0 buffer solution, use the plastic screwdriver to adjust the "Adjust Knob" until the screen shows the number 7.0---adjustment is done. Take out the PH electrode from the buffer solution and put it into the aquarium.
2. Set the "Function switch" to the end of "SET", use the plastic screwdriver to adjust the "SET Adjustment Knob" until the screen shows the figure that you need, Set is done. (PH for the salt water is 8.0~8.4PH; for the refugium is 6.8~7.2PH)
3. Plug the CO₂ system to the " Output control socket" , then the PH controller will automatically control the output of the CO₂ to reach the rate you need.
4. Set the "Function switch" to the "PH" positon, then, the screen will show the PH rate of the water.
5. The CO₂ system is working when the "Indicator light" is on.
6. The CO₂ system does not work when the "Indicator light" is off.

GENERAL SPECIFICATION

Power Supply	AC 220-240V 50/60Hz
Power Consumption	3W
Measurement Range	0~14PH
Control Range	0~14PH
Accuracy	±0.1PH
Resolution	0.01PH

* PH-2010A controller is suitable for the refugium.
PH-2010B controller is suitable for the salt water.

REMARK AND MAINTENANCE

1. Please do not operate this controller before it is fixed on an unmovable plane.
2. Please note that always keep the Electrode Cap above the water.
3. None water proof. Please keep the controller far away from the aquarium tank for avoiding the water comes inside the controller.
4. Unplug the controller before any move.
5. To insure the accurate reading of the controller, please clean the electrode every 4 weeks.
PLEASE DO UNPLUG THE CONTROLLER BEFORE CLEANING!
6. Please use the soft brush to clean the electrode.
PLEASE DO NOT CLEN THE PH ELECTRODE BY YOUR HANDS DIRECTLY OR USE THE CLOTH WITH ALCOHOL.
7. The PH Electrode is a precision instrument. Please be careful during the operation. **DO NOT WHACK** the electrode.
8. Any malfunction, please unplug the meter and contact the wholesaler or manufacturer as soon as possible.
9. Indoor used only.

MAINTENANCE

Product Name:	Model No.:	Date:
Purchasing Date:	Invoice No.:	
Buyer:	Tel:	Add:
Manufacturer:	Tel:	Add:
Maintaining Records:		
1、	Maintainer	Date
2、	Maintainer	Date
3、	Maintainer	Date
4、	Maintainer	Date

Remarks

1. From the purchasing date on, the controller will have 12 months warranty under the NORMAL OPERATION.
2. Please keep and show the invoice and warranty certificate when you need the controller maintained or will be seen as you give up the rights on the warranty.
3. Any malfunction or damage under personal INCORRECT operation, we will not take on any responsibility on the warranty.

Pour étalonner un second point, par exemple pH 9, retirer la face avant et ajuster la vis entre "Adjust knob" et "Set ajustement knob".

Yongcheng Aquarium Equipment Factory

Add: Liandong Industrial Avenue, Xiaolan, Zhongshan, Guangdong, China
Post Code : 528416
Tel : +86-760-2242612
Fax : +86-760-2243608
E-mail: sonpar@sonpar.com.cn
weipro@weipro.com